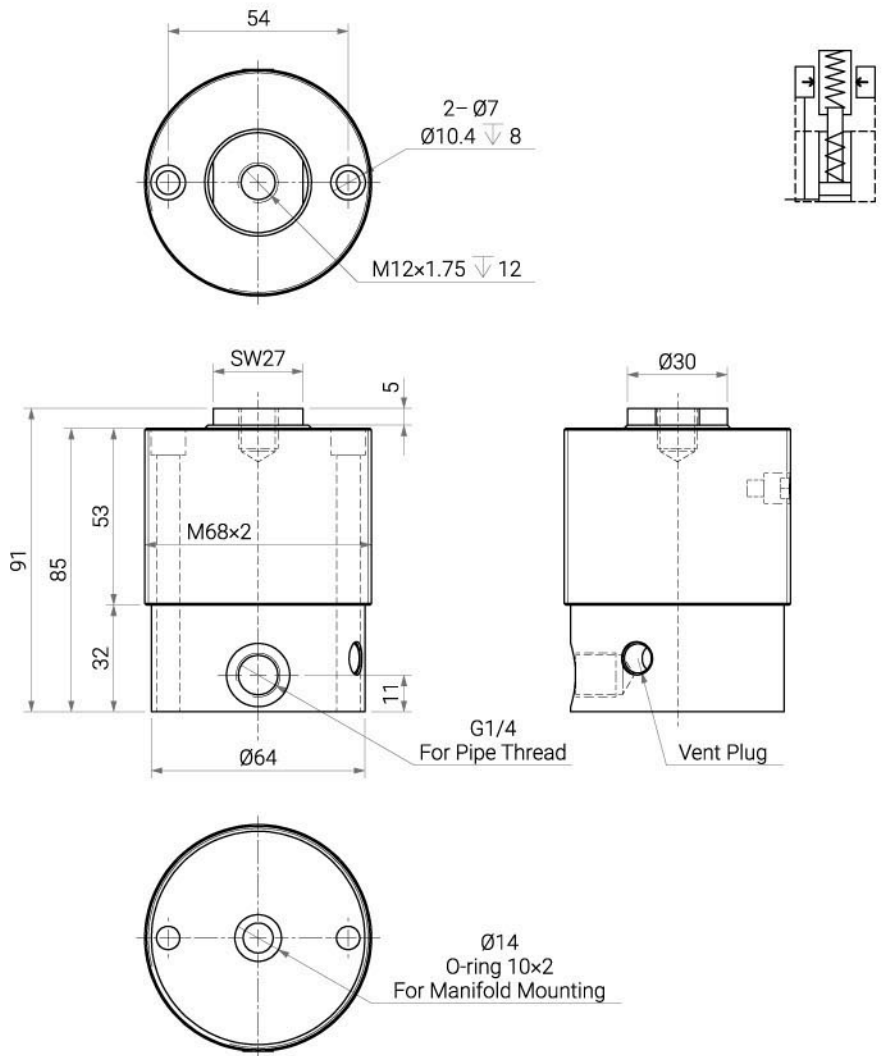


SP-T32B (1914-010) | Hydraulic Work Support Cylinder

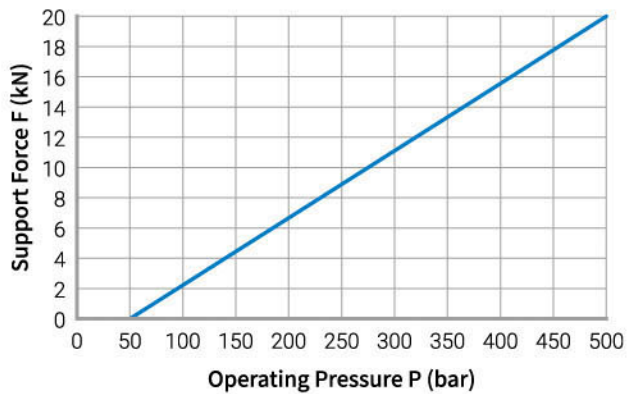
Rod: $\varnothing 16 \sim \varnothing 40$ mm | Pressure Max: 500 bar

Specifications

- Can choose Pipe Thread type or Manifold-Mounted according to needs.
- Part-No.: SP-T32B – Pipe Thread Type.
SP-TM32B – Manifold-Mounted Type.



Support Force & Hydraulic Pressure Relationship Diagram



| Items | Unit | SP-T32B |
|-------------------------|------|------------------|
| Rod Diameter | mm | $\varnothing 32$ |
| Stroke | mm | 12 |
| Support Force (500 bar) | kN | 20 |
| Min. Operation Pressure | bar | 100 |