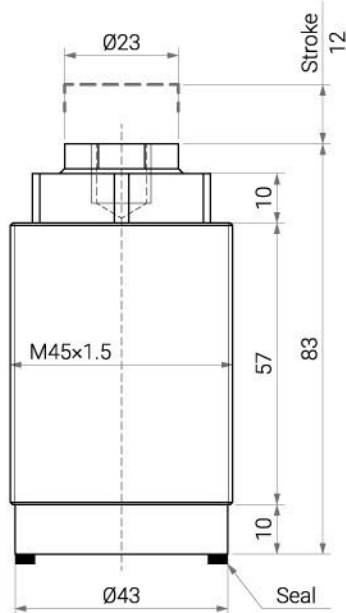
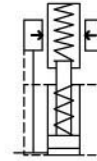
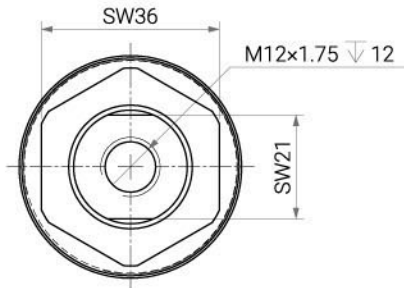


SP-T25B Hydraulic Work Support Cylinder (Threaded-Body Type)

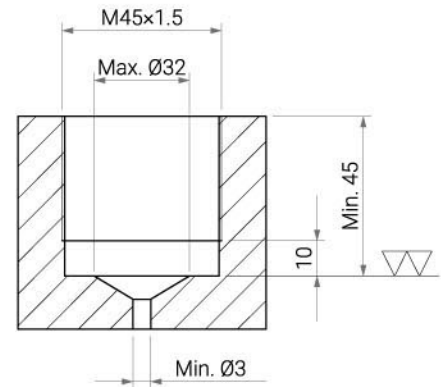
Rod: $\varnothing 16 \sim \varnothing 40$ mm | Pressure Max: 500 bar

Specifications

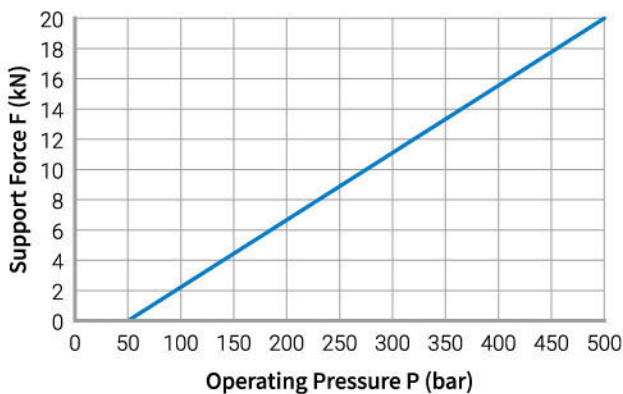
- Max support force is about 20 kN.
- When installing, first insert the white sealing ring. When tightening, avoid excessive force; simply tighten until it doesn't leak oil. Excessive force during tightening can reduce the sealing effectiveness of the sealing ring or even cause it to lose its leak-proof function due to excessive deformation.



Installation Dimensions



Support Force & Hydraulic Pressure Relationship Diagram



Items	Unit	SP-T25B
Rod Diameter	mm	$\varnothing 25$
Stroke	mm	12
Support Force (500 bar)	kN	20
Min. Operating Pressure	bar	100