

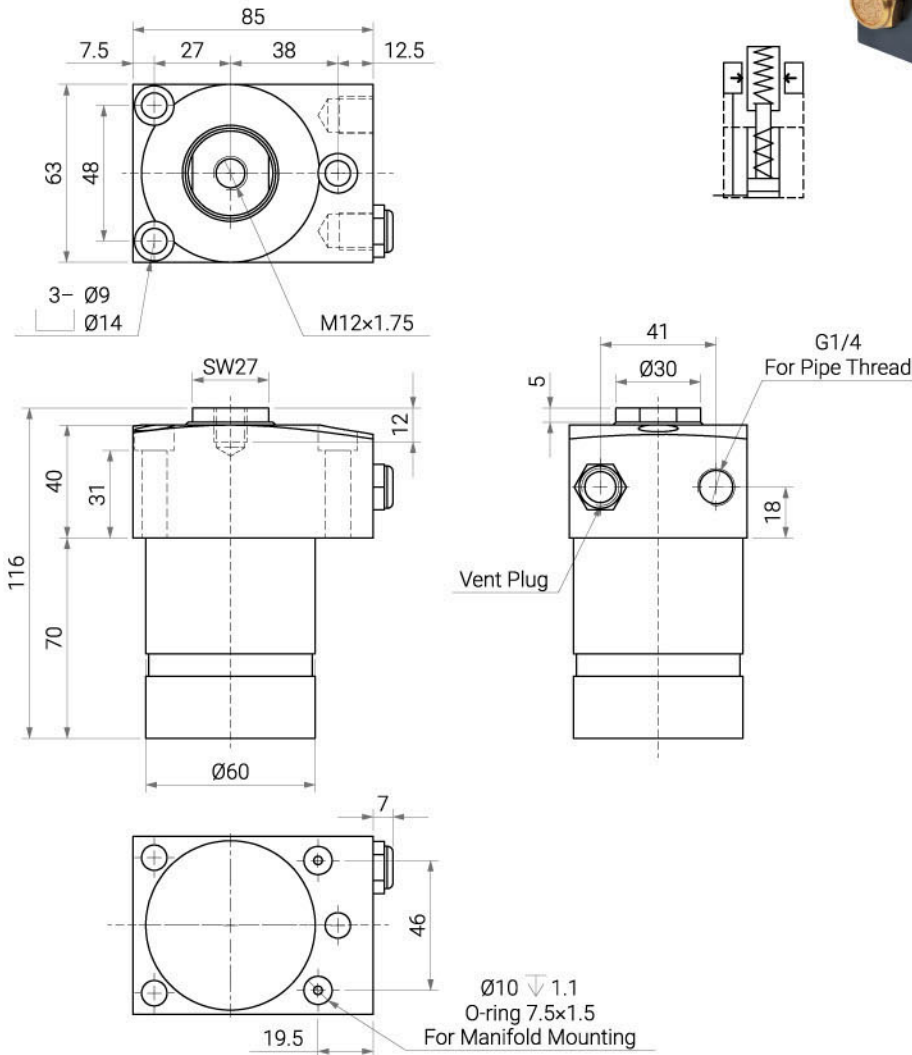
# SP-FA32B Hydraulic Work Support Cylinder

Rod:  $\varnothing 16 \sim \varnothing 40$  mm | Pressure Max: 500 bar

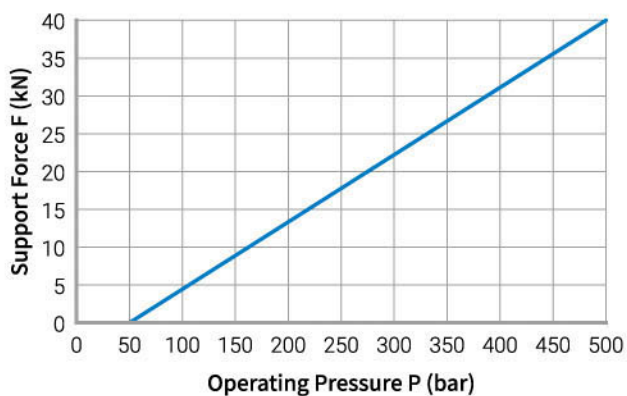
SP-FA32B

## Specifications

- Can choose Pipe Thread type or Manifold-Mounted according to needs.
- Part-No.: SP-FA32B – Pipe Thread Type.  
SP-FAM32B – Manifold-Mounted Type.



## Support Force & Hydraulic Pressure Relationship Diagram



Items	Unit	SP-FA32B
Rod Diameter	mm	$\varnothing 32$
Stroke	mm	12
Support Force (500 bar)	kN	40
Min. Operation Pressure	bar	100
O-ring for Manifold-Mounted	mm	7.5×1.5