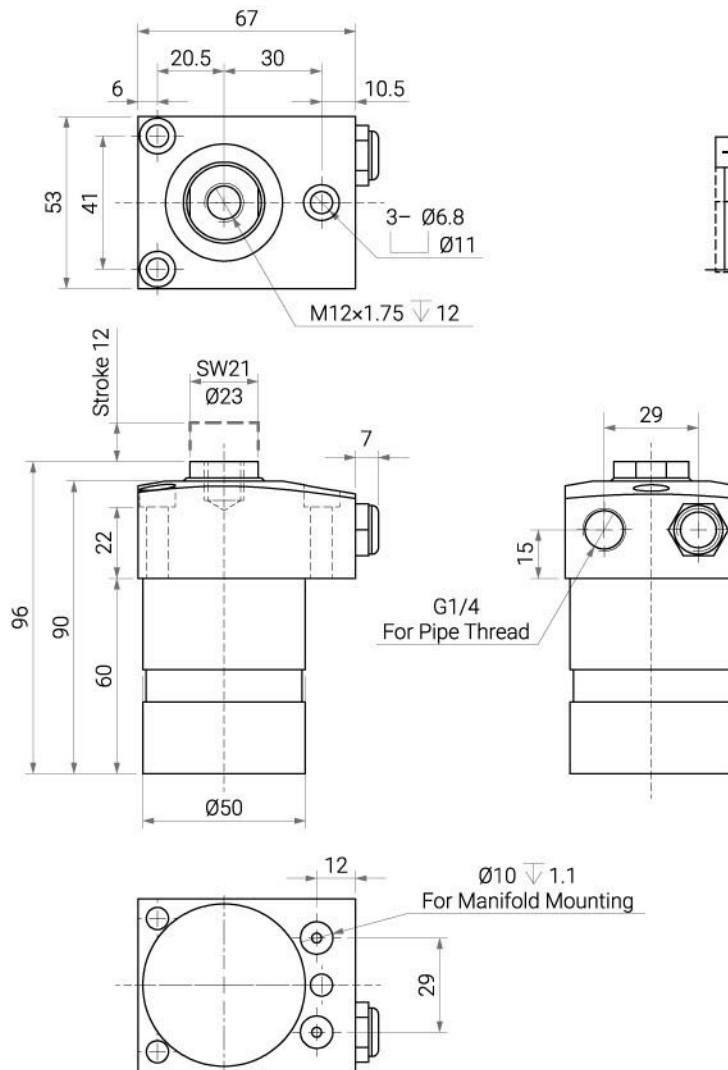


SP-FA25B Hydraulic Work Support Cylinder (Flange Type)

Rod: $\varnothing 16 \sim \varnothing 40$ mm | Pressure Max: 500 bar

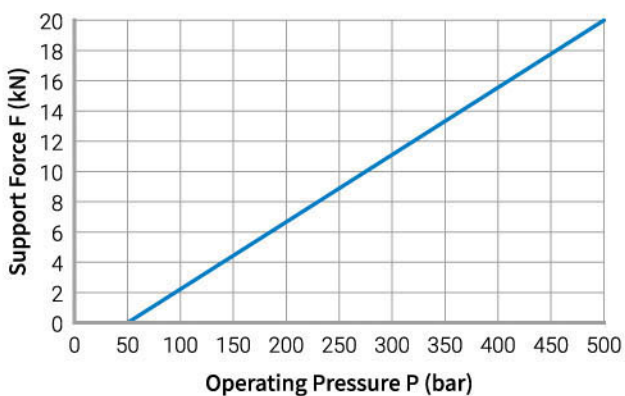
Specifications

- Can choose Pipe Thread type or Manifold-Mounted according to needs.
- Part-No.: SP-FA25B – Pipe Thread Type.
SP-FAM25B – Manifold-Mounted Type.



SP-FA25B – FLANGE TYPE

Support Force & Hydraulic Pressure Relationship Diagram



Items	Unit	SP-FA25B
Rod Diameter	mm	$\varnothing 25$
Stroke	mm	12
Support Force (500 bar)	kN	20
Min. Operating Pressure	bar	100
O-ring for Manifold-Mounted	mm	7.5×1.5