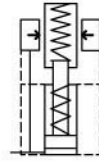
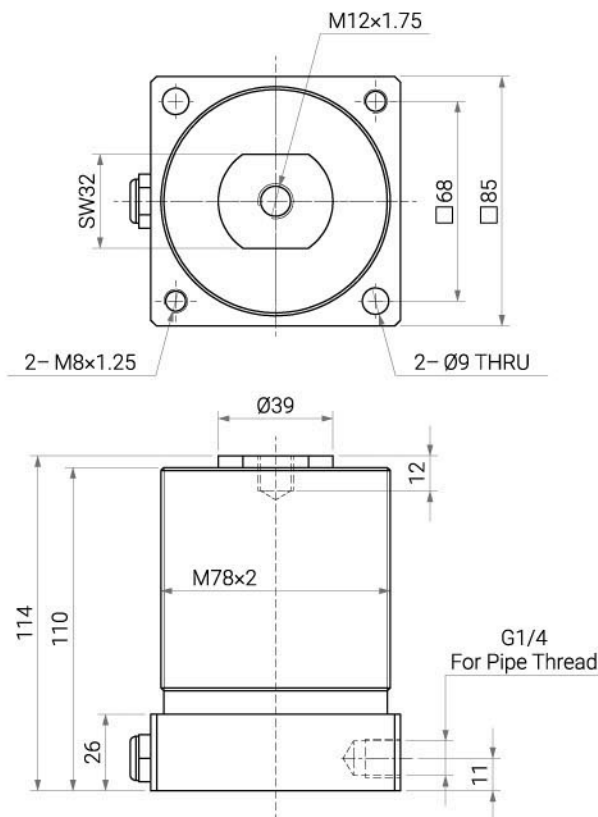


SP-40B Hydraulic Work Support Cylinder

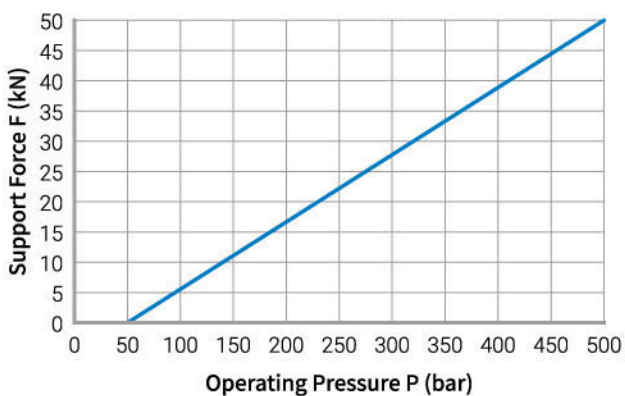
Rod: $\varnothing 16 \sim \varnothing 40$ mm | Pressure Max: 500 bar

SP-40B

Specifications



Support Force & Hydraulic Pressure Relationship Diagram



Items	Unit	SP-40B
Rod Diameter	mm	$\varnothing 40$
Stroke	mm	18
Support Force (500 bar)	kN	50
Min. Operation Pressure	bar	100